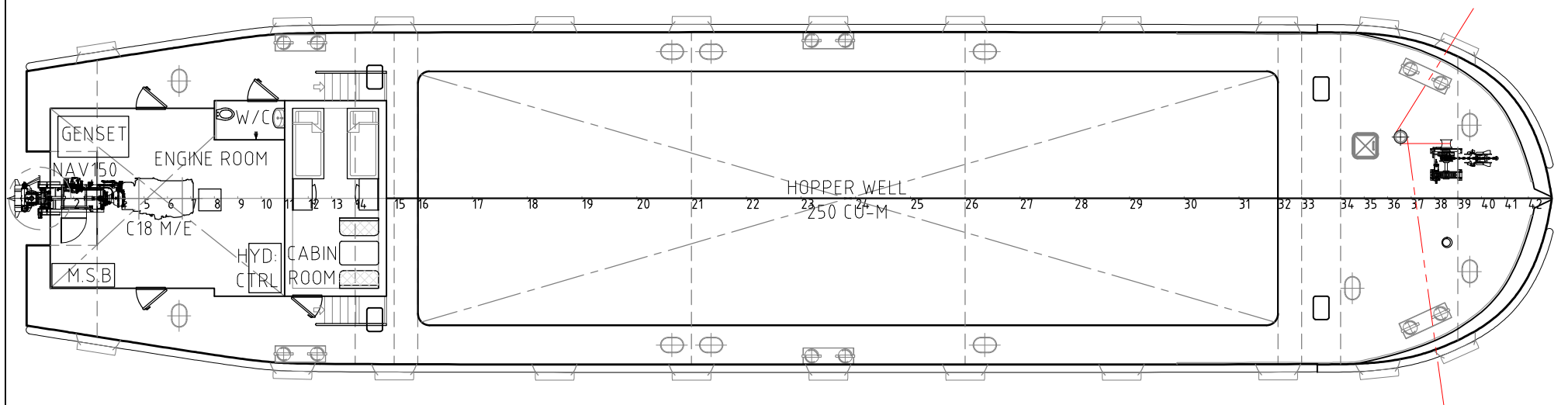


PROFILE
OUTBOARD SCALE 1:150



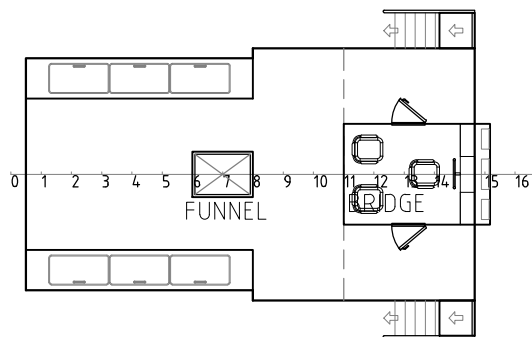
MAIN DECK PLAN
SCALE 1:150

PRINCIPLE PARTICULARS:

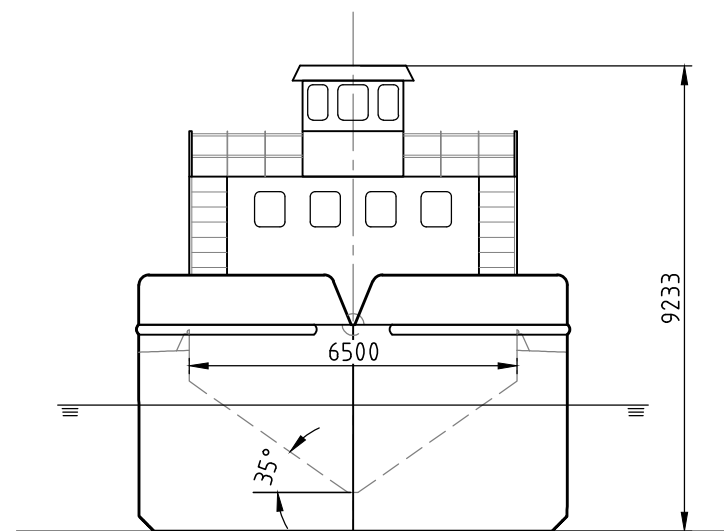
- MLD LENGTH - 39.00 M
- MLD DEPTH - 4.00 M
- MLD DEPTH (WELL) - 3.50 M
- MLD BREADTH - 8.50 M
- DESIGN W.L - 2.50 M
- DISPLACEMENT - 760 TONNES
- DEADWEIGHT - 500 TONNES
- HOPPER WELL - 250 M³

- MAIN ENGINE - 370kW (CAT C18 ACERT)
- GEAR BOX - 1:3.366 RATIO (SCHOTTLE)
- PROPULSION - NAV 150 ONATRA (SCHOTTLE)

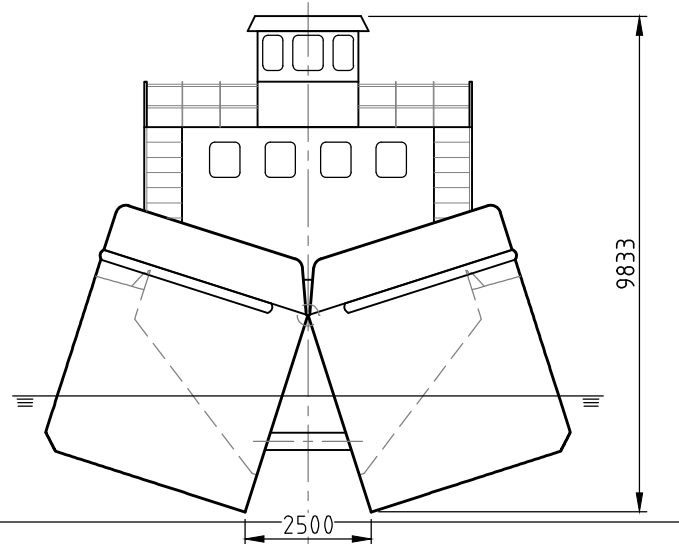
- CREW - 4 PAX
- FUEL OIL - 8.00 M³
- FRESH WATER - 4.00 M³



WHEEL HOUSE DECK
SCALE 1:150



ELEVATION
CLOSED SCALE 1:150



ELEVATION
OPENED SCALE 1:150

PRELIMINARY

TECHIES
MARINE SERVICE



NO.10, BO TAY ZA STREET (2), TAN TU MA ROAD, TUWANNA TOWNSHIP, YANGON, MYANMAR
PHONE : +95 95040848, +95 9459196096, +95 9773820727

TITLE GENERAL ARRANGEMENT					
PROJECT 39.5 M, SPLIT HOPPER BARGE			HULL No. H6171		
DRAWING REF. TM602-15-001_A			SHEET No. 1 OF 1		
SCALE 1:150 OR AS SHOWN			DATE 23/05/2017		
DRAWN MHK	CHECKED NANDA	APPROVED NANDA	PAPER SIZE A3		
THIS DRAWING & ALL INFORMATION CONTAINED WITHIN IS RESERVED AS THE PROPERTY OF TECHIES COMPANY LIMITED. ANY PART OF THIS OBJECT MAY NOT BE COPIED, MODIFIED OR TRANSFERRED TO ANY OTHER PARTY WITHOUT ACKNOWLEDGEMENT OF TECHIES CO., LTD.					
REV	DESCRIPTION	DATE	DRN	CHECKED	APPROVED
A	PRELIMINARY	23/05/2017	MHK	NANDA	NANDA
	REVISION DETAILS				