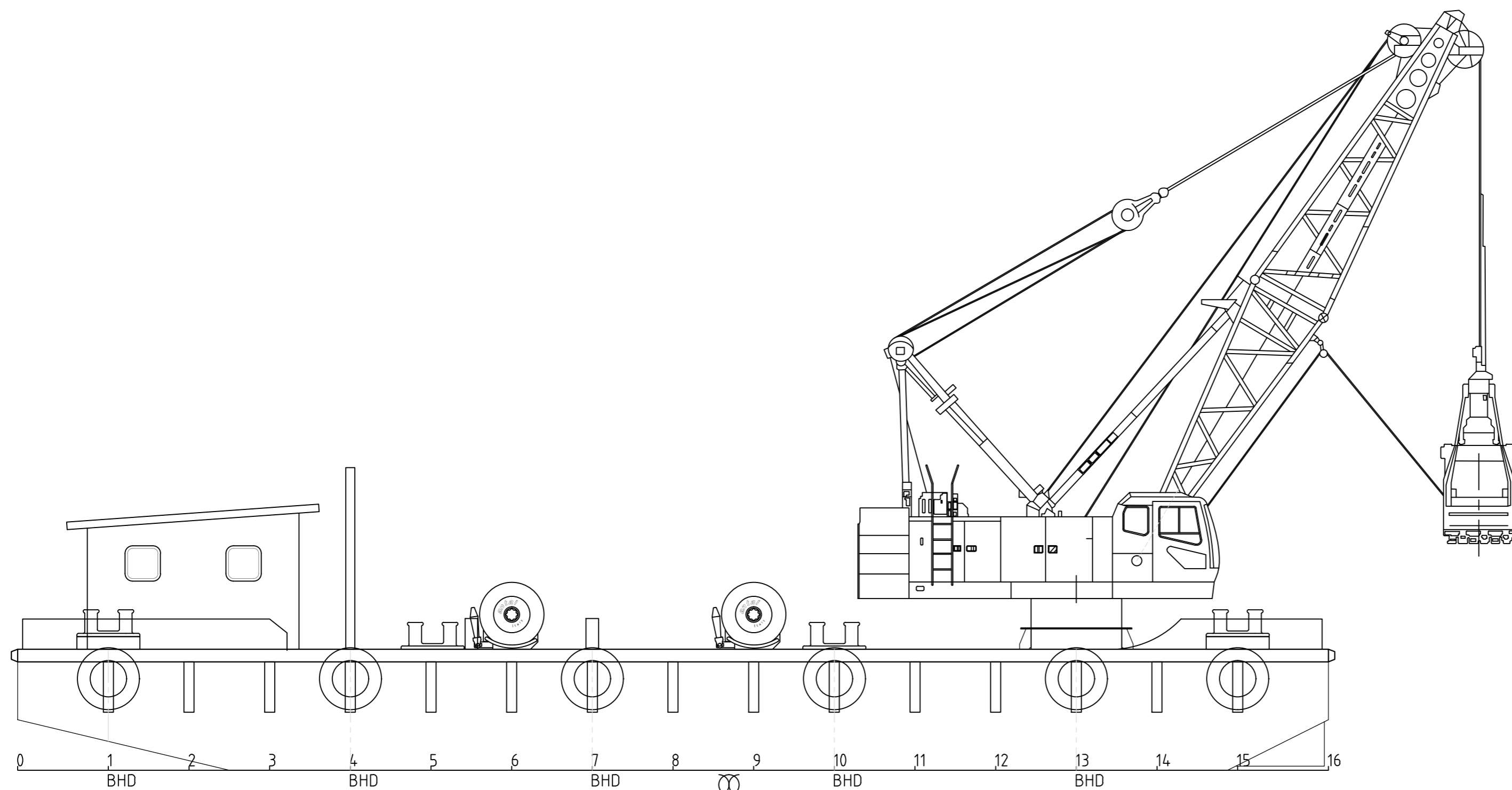


MAIN DECK PLAN
SCALE 1:80



PROFILE
SCALE 1:80

PRINCIPLE PARTICULARS

LENGTH OVERALL	- 26	M
BREADTH	- 10	M
DEPTH	- 2.4	M
DRAFT	- 1.2	M
CREW	- 4	

MAIN PARTICULARS OF CLAMSHELL CRANE;

GROSS RATED LOAD	- 10	TON
BUCKET CAPACITY	- 2.5	CUBIC METRE
BOOM LENGTH	- 13	M
WORKING RADIUS	- 11.6	M (MAX)
DREDGING DEPTH	- 36	M (MAX)

MAIN DECK FITTINGS;

ANCHOR	- 4	NOS
MANUL WINCH	- 4	SETS
MOORING ROPE	- 4	SETS
DOUBLE BOLLARD	- 8	NOS
CRANE BOOM STAND	- 1	NO
ACCOMODATION SPACE	- 1	UNIT

PRELIMINARY

<small>NO.10, BO TAY ZA STREET (2), TAN TU MA ROAD, TUIWANNA TOWNSHIP, YANGON, MYANMAR PHONE : +95 95040848, +95 9659196096, +95 9773820727</small>		
GENERAL ARRANGEMENT		
PROJECT	HULL NO.	
26.0M GRAB DREDGER	H6172	
DRAWING REF.	SHEET NO.	
TM603-15-001_A	1 OF 1	
SCALE	DATE	
1:80	24/05/2017	
OR AS SHOWN		
DRAWN	CHECKED	APPROVED
SAMUEL	NANDA	NANDA
<small>THIS DRAWING & ALL INFORMATION CONTAINED WITHIN IS RESERVED AS THE PROPERTY OF TECHIES COMPANY LIMITED. ANY PART OF THIS OBJECT MAY NOT BE COPIED, MODIFIED OR TRANSFERRED TO ANY OTHER PARTY WITHOUT ACKNOWLEDGEMENT OF TECHIES CO., LTD.</small>		<small>PAPER SIZE</small> A2

REV	REVISION DETAILS	DATE	DRN	CHECKED	APPROVED
A	FOR REVIEW & COMMENT	24/5/2017	SAMUEL	NANDA	NANDA