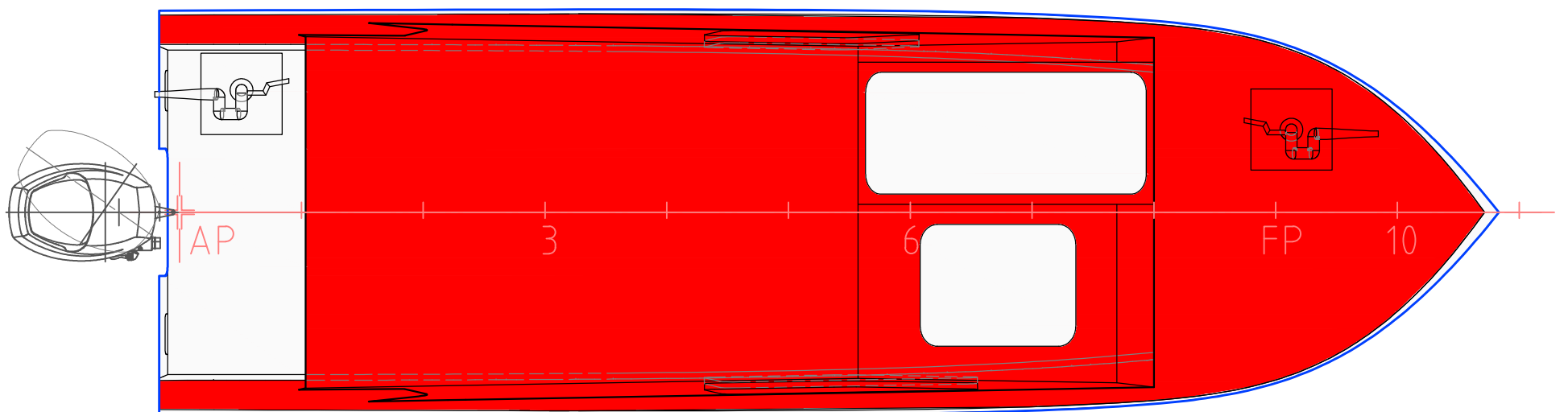
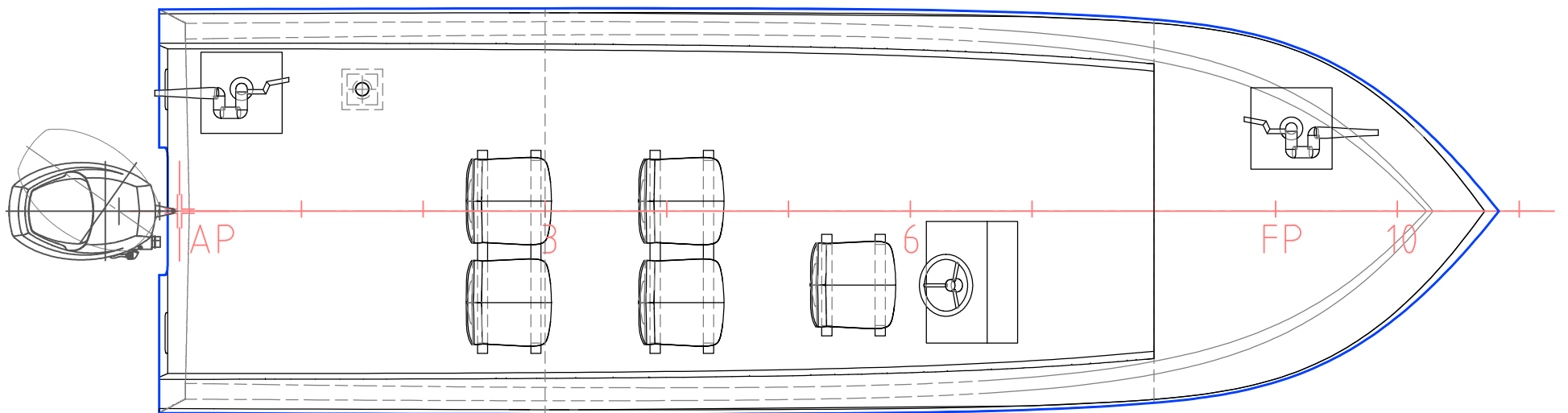


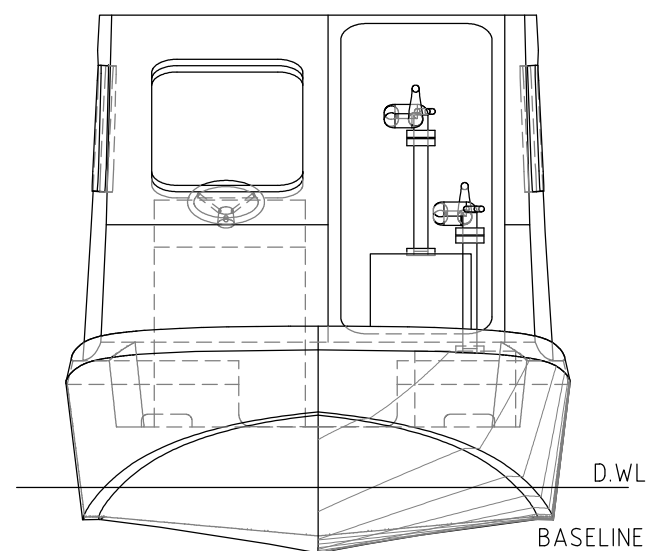
PROFILE





PLAN (ROOF DECK)



DECK PLAN



BODY PLAN

			
<small>NO.10, BO TAY ZA STREET (2), TAN TU MA ROAD, TUWANNA TOWNSHIP, YANGON, MYANMAR PHONE : +95 95040848, +95 9459196096, +95 9773820727</small>			
GENERAL ARRANGEMENT			
6.60M, FIRE FIGHTING BOAT		PROJECT	HULL No. H5181_3
TM501-I5-01_A		DRAWING REF.	SHEET No. 1 OF 1
			SCALE 1:30 OR AS SHOWN
DRAWN SAMUEL	CHECKED NANDA	APPROVED NANDA	DATE 21/7/2018
<small>THIS DRAWING & ALL INFORMATION CONTAINED WITHIN IS RESERVED AS THE PROPERTY OF TECHIES COMPANY LIMITED. ANY PART OF THIS OBJECT MAY NOT BE COPIED, MODIFIED OR TRANSFERRED TO ANY OTHER PARTY WITHOUT ACKNOWLEDGEMENT OF TECHIES CO., LTD.</small>			PAPER SIZE A3